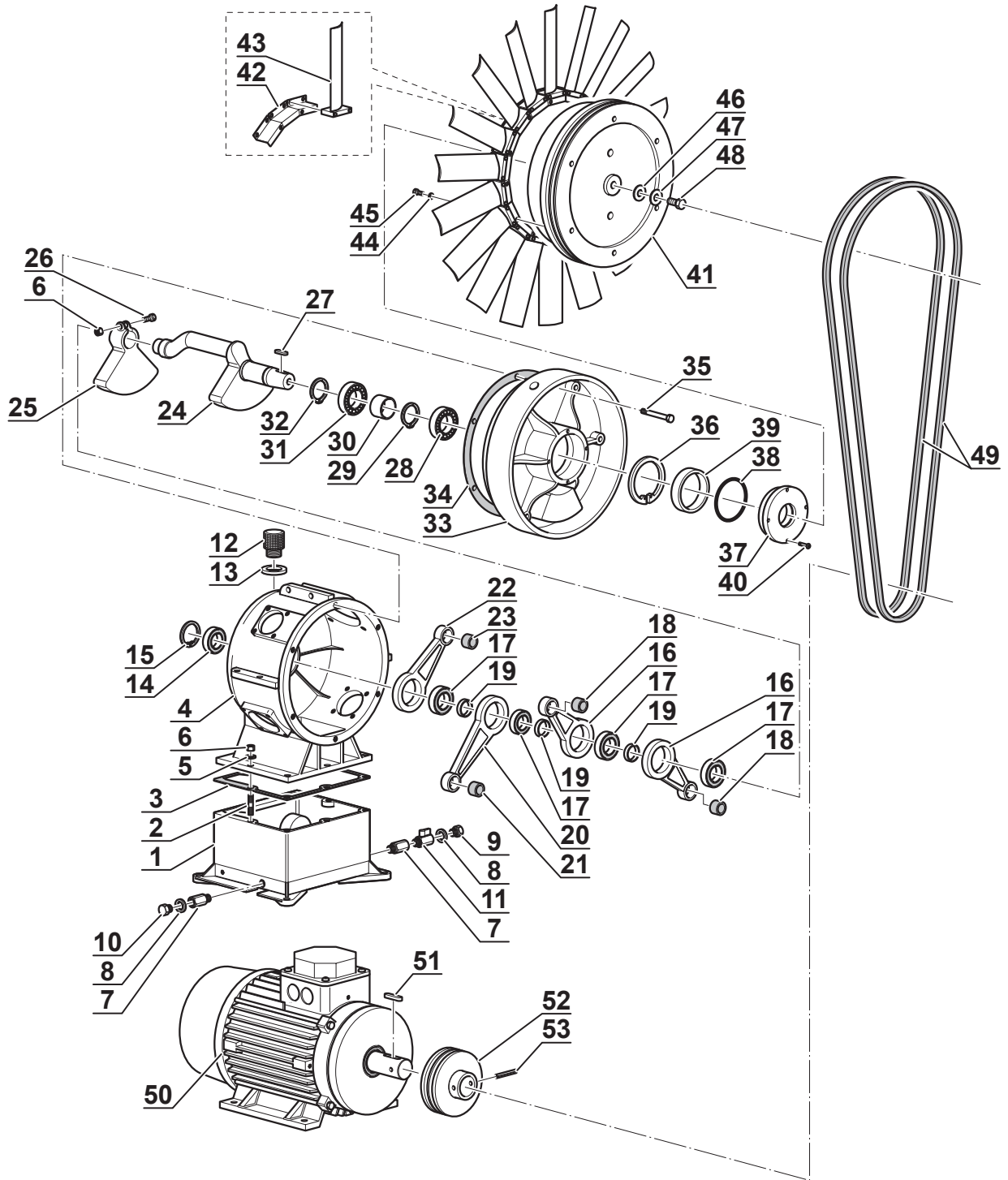


CORPO COMPRESSORE - COMPRESSOR BLOCK

Riferimento Position	Q.tà Q.ty	Codice Code	Descrizione	Description	Prezzo (€) Price (€)
01	1	36-00-001	Basamento monoblocco	Monobloc base	
02	7	36-00-002	Vite prigioniera M8x42-8.8	Stud screw M8x42-8.8	
03	1	36-00-003	Guarnizione	Gasket	
04	1	36-00-004	Monoblocco	Monobloc	
05	7	36-00-005	Rondella Ø8	Washer Ø8	
06	8	13-00-0101	Dado M8	Nut Ø8	
07	2	13-00-0052	Prolunga scarico olio	Oil drain extension	
08	2	13-00-0053	Rondella rame	Copper washer	
09	1	13-00-0063	Tappo scarico olio	Oil drain plug	
10	1	36-00-010	Tappo magnetico scarico olio	Oil drain magnetic plug	
11	1	36-00-011	Rubinetto scarico olio	Oil drain tap	
12	1	36-00-012	Tappo carico olio	Oil filler tap	
13	1	36-00-013	O-Ring	O-ring	
14	1	13-00-0042	Cuscinetto	Bearing	
15	1	13-00-0055	Seeger	Snap ring	
16	2	36-00-016	Biella 3°/4°stadio	3rd/4th stage connecting rod	
17	4	36-00-017	Cuscinetto biella	Connecting rod bearing	
18	2	36-00-018	Cuscinetto spinotto biella 3°/4°stadio	3rd/4th stage connecting rod pin bearing	
19	3	36-00-019	Ralla	Fifth wheel	
20	1	36-00-020	Biella 1°stadio	1st stage connecting rod	
21	1	36-00-021	Cuscinetto spinotto biella 1°stadio	1st stage connecting rod pin bearing	
22	1	36-00-022	Biella 2°stadio	2nd stage connecting rod	
23	1	36-00-023	Cuscinetto spinotto biella 2°stadio	2nd stage connecting rod pin bearing	
24	1	36-00-024	Collo d'oca	Gooseneck	
25	1	36-00-025	Contrappeso	Counterweight	
26	1	13-00-0104	Vite TCEIZN M8x65-8.8	Screw TCEIZN M8x65-8.8	
27	1	36-00-027	Linguetta	Spline	
28	1	36-00-028	Cuscinetto	Bearing	
29	1	36-00-029	Seeger	Snap ring	
30	1	36-00-030	Distanziale collo d'oca	Gooseneck spacer	
31	1	36-00-031	Cuscinetto	Bearing	
32	1	36-00-032	Seeger	Snap ring	
33	1	36-00-033	Flangia monoblocco	Monobloc flange	
34	1	36-00-034	Cuscinetto	Bearing	
35	6	36-00-035	Vite TCEIZN M8x35-8.8	Screw TCEIZN M8x35-8.8	
36	1	36-00-036	Seeger	Snap ring	
37	1	36-00-037	Flangia lato ventola	Fan side flange	
38	1	36-00-038	O-Ring	O-ring	
39	1	36-00-039	Paraolio	Oil splash guard	
40	4	36-00-040	Vite autofilettante	Self-tapping screw	
41	1	36-00-041	Puleggia ventola	Fan pulley	
42	6	36-00-042	Staffa pale ventola	Fan blade stay	
43	18	36-00-043	Pala ventola	Fan blade	
44	12	36-00-044	Rondella Ø6	Washer Ø6	
45	12	36-00-045	Vite TCEI M6x16 INOX	Screw TCEI M6x16 STAINLESS STEEL	
46	1	36-00-046	Rondella puleggia ventola	Fan pulley washer	
47	1	13-00-0079	Rondella Ø12	Washer Ø12	
48	1	36CAR034	Vite TEZN M12x40-8.8	Screw TEZN M12x40-8.8	
49	2	36-00-049	Cinghia trapezoidale	Trapezoidal belt	
50	1	36-00-050	Motore elettrico trifase	3-phase electric motor	
51	1	36-00-051	Linguetta	Spline	
52	1	36-00-052	Puleggia	Pulley	
53	1	36-00-053	Grano	Grub screw	

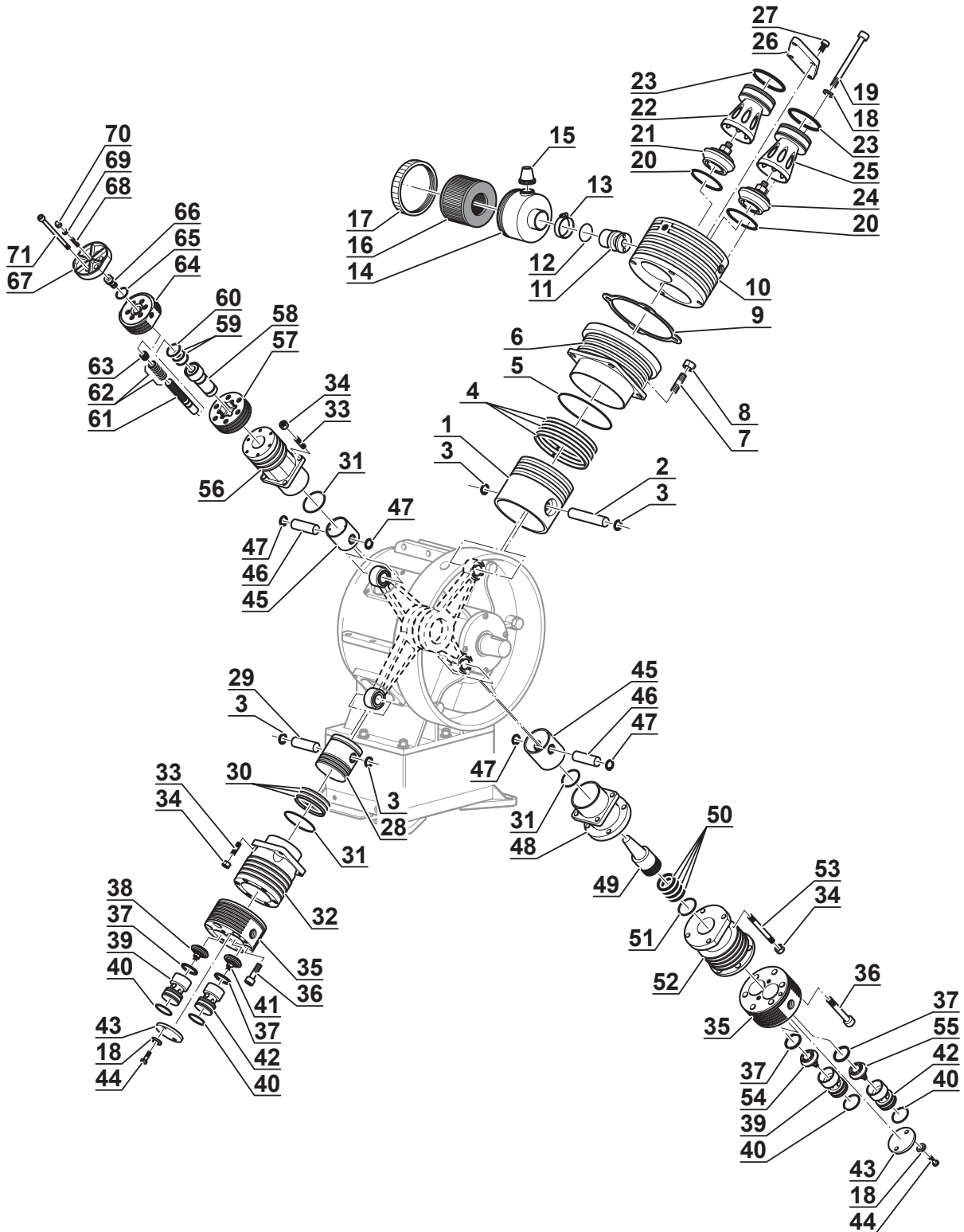
CORPO COMPRESSORE - COMPRESSOR BLOCK



STADI DI COMPRESSIONE - COMPRESSION STAGES

Riferimento Position	Q.tà Q.ty	Codice Code	Descrizione	Description	Prezzo (€) Price (€)
01	1	36-01-001	Pistone 1° stadio	1st stage piston	
02	1	36-01-002	Spinotto pistone 1° stadio	1st stage piston pin	
03	4	13-00-0110	Seeger	Snap ring	
04	1	36-01-004	Serie n°3 segmenti pistone 1° stadio	Series n°3 segments 1st stage piston	
05	1	36-01-005	O-Ring	O-Ring	
06	1	36-01-006	Cilindro 1° stadio	1st stage cylinder	
07	4	36-01-007	Vite prigioniera M10x40-8.8	Stud screw M10x40-8.8	
08	4	36CAR007	Dado M10	Nut M10	
09	1	36-01-009	Guarnizione	Gasket	
10	1	36-01-010	Testata 1° stadio	1st stage head	
11	1	36-01-011	Manicotto filtro aspirazione	Intake filter pipe	
12	1	36-01-012	O-Ring	O-Ring	
13	1	36-01-013	Fascetta INOX	STAINLESS clip	
14	1	36-01-014	Corpo filtro aspirazione	Intake filter body	
15	1	36-01-015	Terminale filtro aspirazione	Intake filter terminal	
16	1	36-01-016	Cartuccia filtro aspirazione	Intake filter cartridge	
17	1	36-01-017	Coperchio corpo filtro aspirazione	Intake filter body cover	
18	8	36CAR006	Rondella Ø10	Washer Ø10	
19	4	36-01-019	Vite TCEIZN M10x120-8.8	Screw TCEIZN M10x120-8.8	
20	2	36-01-020	Rondella rame	Copper washer	
21	1	36-01-021	Valvola aspirazione 1° stadio	1st stage intake valve	
22	1	36-01-022	Campana valvola aspirazione 1° stadio	1st stage intake valve bell	
23	2	36-01-023	O-Ring VITON	VITON O-Ring	
24	1	36-01-024	Valvola scarico 1° stadio	1st stage discharge valve	
25	1	36-01-025	Campana valvola scarico 1° stadio	1st stage discharge valve bell	
26	1	36-01-026	Coperchio campane valvole 1° stadio	1st stage valves bells cover	
27	4	36-01-027	Vite TCEIZN M10x35-8.8	Screw TCEIZN M10x35-8.8	
28	1	36-02-001	Pistone 2° stadio	2nd stage piston	
29	1	13-02-0111	Spinotto pistone 2° stadio	2nd stage piston pin	
30	1	36-02-004	Serie n°4 segmenti pistone 2° stadio	Series n°4 segments 2nd stage piston	
31	3	13-00-0015	O-Ring	O-Ring	
32	1	36-02-006	Cilindro 2° stadio	2nd stage cylinder	
33	8	36-00-002	Vite prigioniera M8x42-8.8	Stud screw M8x42-8.8	
34	12	13-00-0101	Dado M8	Nut M8	
35	2	36-02-009	Testata 2°/3° stadio	2nd/3rd stage head	
36	12	36-00-035	Vite TCEIZN M8x35-8.8	Screw TCEIZN M8x35-8.8	
37	4	36-02-011	Rondella rame	Copper washer	
38	1	36-02-012	Valvola aspirazione 2° stadio	2nd stage intake valve	
39	2	36-02-013	Campana valvola aspirazione 2°/3° stadio	2nd/3rd stage intake valve bell	
40	4	36-02-014	O-Ring VITON	VITON O-Ring	
41	1	36-02-015	Valvola scarico 2° stadio	2nd stage discharge valve	
42	2	36-02-016	Campana valvola scarico 2°/3° stadio	2nd/3rd stage discharge valve bell	
43	2	36-02-017	Coperchio campane valvole 2°/3° stadio	2nd/3rd stage valves bell cover	
44	4	36CAR008	Vite TEZN M10x35-8.8	Screw TEZN M10x35-8.8	
45	2	36-03-001	Pattino 3°/4° stadio	3rd/4th stage pad	
46	2	36-03-002	Spinotto pistone 3°/4° stadio	3rd/4th stage piston pin	
47	4	36-03-003	Seeger	Snap ring	
48	1	36-03-005	Cilindro guida 3° stadio	3rd stage guide cylinder	
49	1	36-03-006	Pistone 3° stadio	3rd stage piston	
50	1	36-03-007	Serie n°4 segmenti pistone 3° stadio	Series n°4 segments 3rd stage piston	
51	1	13-00-0039	O-Ring	O-Ring	
52	1	36-03-009	Cilindro 3° stadio	3rd stage cylinder	
53	4	36-03-010	Vite prigioniera M8x90-8.8	Stud screw M8x90-8.8	
54	1	36-03-015	Valvola aspirazione 3° stadio	3rd stage intake valve	
55	1	36-03-018	Valvola scarico 3° stadio	3rd stage discharge valve	
56	1	36-04-005	Cilindro guida 4° stadio	4th stage cylinder	
57	1	36-04-008	Collettore raffreddamento 4° stadio	4th stage cooling manifold	
58	1	36-04-009	Cilindro 4° stadio	4th stage cylinder	
59	2	36-04-010	O-Ring	O-Ring	
60	1	13-03-0123	O-Ring VITON	VITON O-Ring	

STADI DI COMPRESIONE - COMPRESSION STAGES



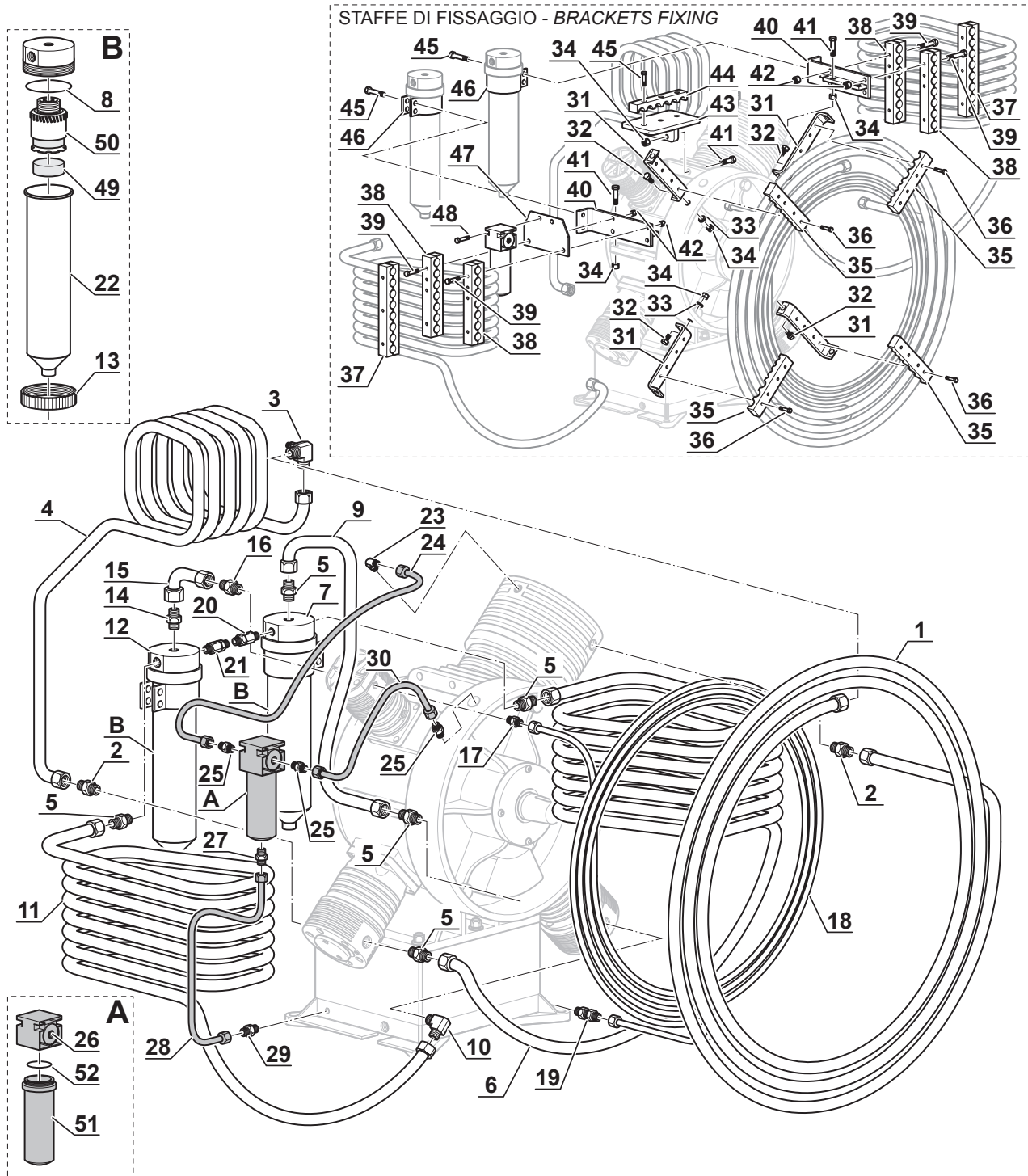
STADI DI COMPRESSIONE - COMPRESSION STAGES

Riferimento Position	Q.tà Q.ty	Codice Code	Descrizione	Description	Prezzo (€) Price (€)
61	1	36-04-012	Pistone 4° stadio	4th stage piston	
62	1	36-04-013	Serie n°7 segmenti pistone 4° stadio	Series n°7 segments 4th stage piston	
63	1	13-03-0020	Valvola aspirazione 4° stadio	4th stage intake valve	
64	1	36-04-015	Testata 4° stadio	4th stage head	
65	1	13-03-0029	O-Ring VITON	VITON O-Ring	
66	1	13-03-0028	Valvola scarico 4° stadio	4th stage discharge valve	
67	1	13-03-0030	Coperchio testata 4° stadio	4th stage head cover	
68	1	13-03-0034	Grano INOX	STAINLESS grub screw	
69	1	13-03-0033	Rondella rame	Copper washer	
70	1	13-00-0032	Dado cieco M8 INOX	Cap nut M8 stainless	
71	6	36-04-022	Vite TCEIZN M8x70-8.8	Screw TCEIZN M8x70-8.8	

CIRCUITO DI PRESSIONE - PRESSURE CIRCUIT

Riferimento Position	Q.tà Q.ty	Codice Code	Descrizione	Description	Prezzo (€) Price (€)
01	1	36-05-001	Tubo raffreddamento 1°stadio (1°parte)	1st stage cooling pipe (1st part)	
02	2	36-05-002	Raccordo	Fitting	
03	1	36-05-003	Raccordo 90°	90° fitting	
04	1	36-05-004	Tubo raffreddamento 1°stadio (2°parte)	1st stage cooling pipe (2nd part)	
05	5	36-05-005	Raccordo	Fitting	
06	1	36-05-006	Tubo raffreddamento 2°/3°stadio	2nd/3rd stage cooling pipe	
07	1	36-05-007	Tappo sx separatore G1/2 2°stadio	2nd stage G1/2 separator left plug	
08	2	36-05-008	O-Ring	O-Ring	
09	1	36-05-009	Tubo collegamento separatore 3°stadio	3rd stage separator connection pipe	
10	1	36-05-010	Raccordo 90°	90° fitting	
11	1	36-05-011	Tubo raffreddamento 3°/4°stadio	3rd/4th stage cooling pipe	
12	1	36-05-012	Tappo dx separatore G3/8 3°stadio	3rd stage G3/8 separator right plug	
13	2	36-05-013	Ghiera separatore	Separator ring	
14	1	36-05-014	Raccordo	Fitting	
15	1	36-05-015	Tubo collegamento separatore 3°/4°stadio	3rd/4th stage separator connection pipe	
16	1	36-05-016	Raccordo	Fitting	
17	1	36-05-017	Raccordo	Fitting	
18	1	36-05-018	Tubo raffreddamento 4°stadio	4th stage cooling pipe	
19	1	36-05-019	Raccordo passaparete	Through-wall fitting	
20	1	36-05-020	Valvola di sicurezza 2°stadio	2nd stage safety valve	
21	1	36-05-021	Valvola di sicurezza 3°stadio	3rd stage safety valve	
22	2	36-05-022	Tubo INOX separatore condensa	Condensate separator pipe, STAINLESS	
23	1	36-05-023	Raccordo 90°	90° fitting	
24	1	36-05-024	Tubo recupero sfiato separatore	Separator vent recovery pipe	
25	3	36-05-025	Raccordo	Fitting	
26	1	36-05-026	Separatore recupero sfiato	Vent recovery separator	
27	1	36-05-027	Raccordo	Fitting	
28	1	36-05-028	Tubo recupero olio sfiato	Oil vent recovery pipe	
29	1	36-05-029	Raccordo	Fitting	
30	1	36-05-030	Tubo recupero sfiato monoblocco	Monobloc vent recovery pipe	
31	4	36-05-031	Staffa "L" tubo raffreddamento 1°st. (1°parte)	1st stage (1st part) cooling pipe "L" bracket	
32	4	13-00-0048	Vite TCEIZN M8x25-8.8	Screw TCEIZN M8x25-8.8	
33	4	36-00-005	Rondella Ø8	Washer Ø8	
34	10	13-00-0101	Dado M8	Nut M8	
35	4	36-05-035	Staffa fermatubo Ø18 / Ø8	Pipe bracket Ø18 / Ø8	
36	16	36-05-036	Vite TSPEIZN M8x35-10.9	Screw TSPEIZN M8x35-10.9	
37	4	36-05-037	Staffa esterna fermatubo Ø15 otto vie	External pipe bracket Ø15 eight-way	
38	8	36-05-038	Staffa interna fermatubo Ø15 sette vie	Internal pipe bracket Ø15 seven-way	
39	22	36-05-039	Vite TCEIZN M6x40-8.8	Screw TCEIZN M6x40-8.8	
40	2	36-05-040	Supporto tubi raffreddamento	Cooling pipes support	
41	6	36-05-041	Vite TEZN M8x25-8.8	Screw TEZN M8x25-8.8	
42	14	13-00-0137	Dado M6	Nut M6	
43	1	36-05-043	Supporto tubo raffreddamento 1°st. (2°parte)	1st stage (2nd part) cooling pipe support	
44	1	36-05-044	Staffa fermatubo Ø18 sei vie	Pipe bracket Ø18 six-way	
45	7	36-00-035	Vite TCEIZN M8x35-8.8	Screw TCEIZN M8x35-8.8	
46	2	36-05-046	Collare separatore	Separator collar	
47	1	36-05-047	Supporto separatore recupero sfiato	Vent recovery separator support	
48	2	36-05-048	Vite TCEIZN M6x20-8.8	Screw TCEIZN M6x20-8.8	
49	2	36-05-049	Spugna separatore 2°/3°stadio	2nd/3rd stage separator sponge	
50	2	36-05-050	Filtro separatore 2°/3°stadio	2nd/3rd stage separator filter	
51	1	36-05-051	Bicchiera separatore recupero sfiato	Vent recovery separator cup	
52	1	36-05-052	O-Ring	O-Ring	

CIRCUITO DI PRESSIONE - PRESSURE CIRCUIT



CIRCUITO DI LUBRIFICAZIONE - LUBRICATION CIRCUIT

Riferimento Position	Q.tà Q.ty	Codice Code	Descrizione	Description	Prezzo (€) Price (€)
01	1	36-06-001	Tubo scarico pompa olio	Oil pump discharge pipe	
02	3	36-05-017	Raccordo	Fitting	
03	3	36-06-003	Vite TCEIZN M5x12-8.8	Screw TCEIZN M5x12-8.8	
04	1	36-06-004	Tappo filtro olio	Oil filter plug	
05	1	13-00-0061	O-Ring	O-Ring	
06	1	36-06-006	Filtro olio	Oil filter	
07	1	36-06-007	Carter filtro olio	Oil filter cover	
08	1	36-06-008	Raccordo	Fitting	
09	1	36-06-009	Pompa olio	Oil pump	
10	2	36-06-010	Vite TCEIZN M5x50-8.8	Screw TCEIZN M5x50-8.8	
11	1	36-06-011	Raccordo	Fitting	
12	1	36-06-012	Tubo aspirazione olio Ø8	Oil intake pipe Ø8	
13	1	36-06-013	Blocchetto regolazione pressione olio	Oil pressure regulation block	
14	1	13-03-0034	Grano M8x25 INOX	Grub screw M8x25 STAINLESS	
15	1	13-03-0033	Rondella rame	Copper washer	
16	1	13-00-0032	Dado cieco M8 INOX	Cap nut M8 STAINLESS	
17	1	13-00-0174	Raccordo	Fitting	
18	1	36-06-018	Raccordo	Fitting	
19	1	36-06-019	Giunto pompa olio	Oil pump coupling	
20	1	36-06-020	Grano M8x8-8.8 estremità conica	Grub screw M8x8-8.8 tapered end	
21	1	36-06-021	Guarnizione flangia pompa olio	Oil pump flange gasket	
22	1	36-06-022	Flangia pompa olio	Oil pump flange	
23	4	36-05-039	Vite TCEIZN M6x40-8.8	Screw TCEIZN M6x40-8.8	
24	1	36-05-029	Raccordo	Fitting	
25	1	36-06-025	Tubo superiore livello olio Ø6	Oil level upper pipe Ø6	
26	3	36-05-027	Raccordo	Fitting	
27	1	36-06-027	Corpo centrale livello olio	Oil level central body	
28	2	36-06-028	O-Ring	O-Ring	
29	1	36-06-029	Tubo livello olio (Policarbonato)	Oil level pipe (polycarbonate)	
30	2	36-06-030	Raccordo	Fitting	
31	1	36-06-031	Tubo inferiore livello olio Ø10	Oil level lower pipe Ø10	
32	1	36-06-032	Tubo Ø6 collegamento blocchetto/4° stadio	Block/4th stage connection pipe Ø6	

CIRCUITO DI LUBRIFICAZIONE - LUBRICATION CIRCUIT